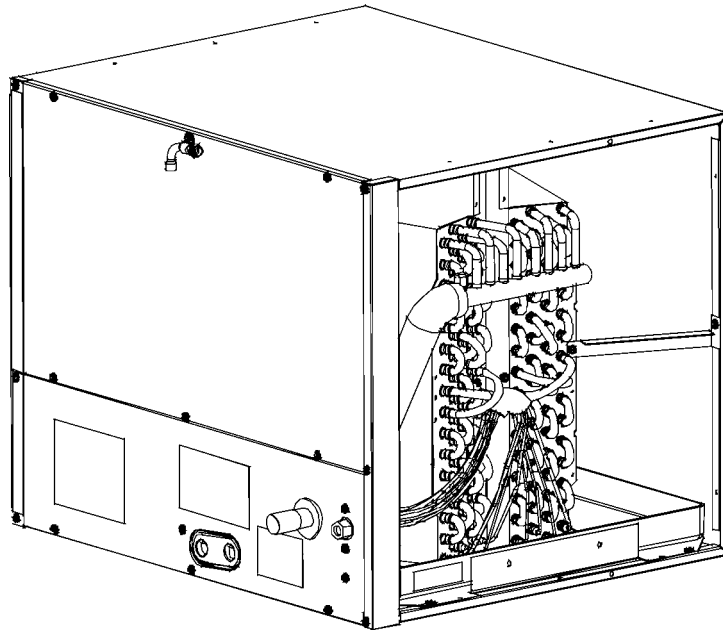


REPAIR PARTS

CHPF 13 SEER Horizontal Coils

CHPF1824A6AA
CHPF1824A6BA
CHPF2430B6AA
CHPF2430B6BA
CHPF3636B6AA
CHPF3636B6BA
CHPF3642C6AA
CHPF3642C6BA
CHPF3642D6AA
CHPF3642D6BA
CHPF3743C6AA
CHPF3743D6AA
CHPF4860D6AA
CHPF4860D6CA



Goodman Manufacturing Company, L.P.
5151 San Felipe, Suite 500
Houston, TX 77056

www.goodmanmfg.com www.amana-hac.com

RP-376C
August 2007

Important Information

Index

Functional Parts List	3
Illustration and Parts	4 - 5

Views shown are for parts illustrations only, not servicing procedures

Rev. C: Added models CHPF1824A6BA, CHPF2430B6BA, CHPF3636B6BA, CHPF3642C6BA, CHPF3642D6BA, CHPF3743C6AA, CHPF3743D6AA, CHPF4860D6CA.

Text Codes:

AR - As Required

NA - Not Available

NS - Not Shown

00000000 - See Note

QTY - Quantity Example (QTY 3) (If Quantity not shown, Quantity = 1)

M - Model Example (M1) (If M Code not shown, then part is used on all Models)

Expanded Model Nomenclature:

Example M1 - Model#1 M2 - Model#2 M3 - Model#3

Goodman Manufacturing Company, L.P. is not responsible for personal injury or property damage resulting from improper service. Review all service information before beginning repairs.

Warranty service must be performed by an authorized technician, using authorized factory parts. If service is required after the warranty expires, Goodman Manufacturing Company, L.P. also recommends contacting an authorized technician and using authorized factory parts.

Goodman Manufacturing Company, L.P. reserves the right to discontinue, or change at any time, specifications or designs without notice or without incurring obligations.

For assistance within the U.S.A. contact:
Consumer Affairs Department
Goodman Manufacturing Company, L.P.
7401 Security Way
Houston, Texas 77040
877-254-4729-Telephone
713-863-2382-Facsimile

For assistance outside the U.S.A. contact:
International Division
Goodman Manufacturing Company, L.P.
7401 Security Way
Houston, Texas 77040
713-861-2500-Telephone
713-863-2382-Facsimile

Functional Parts

**Part
No:**

Description:

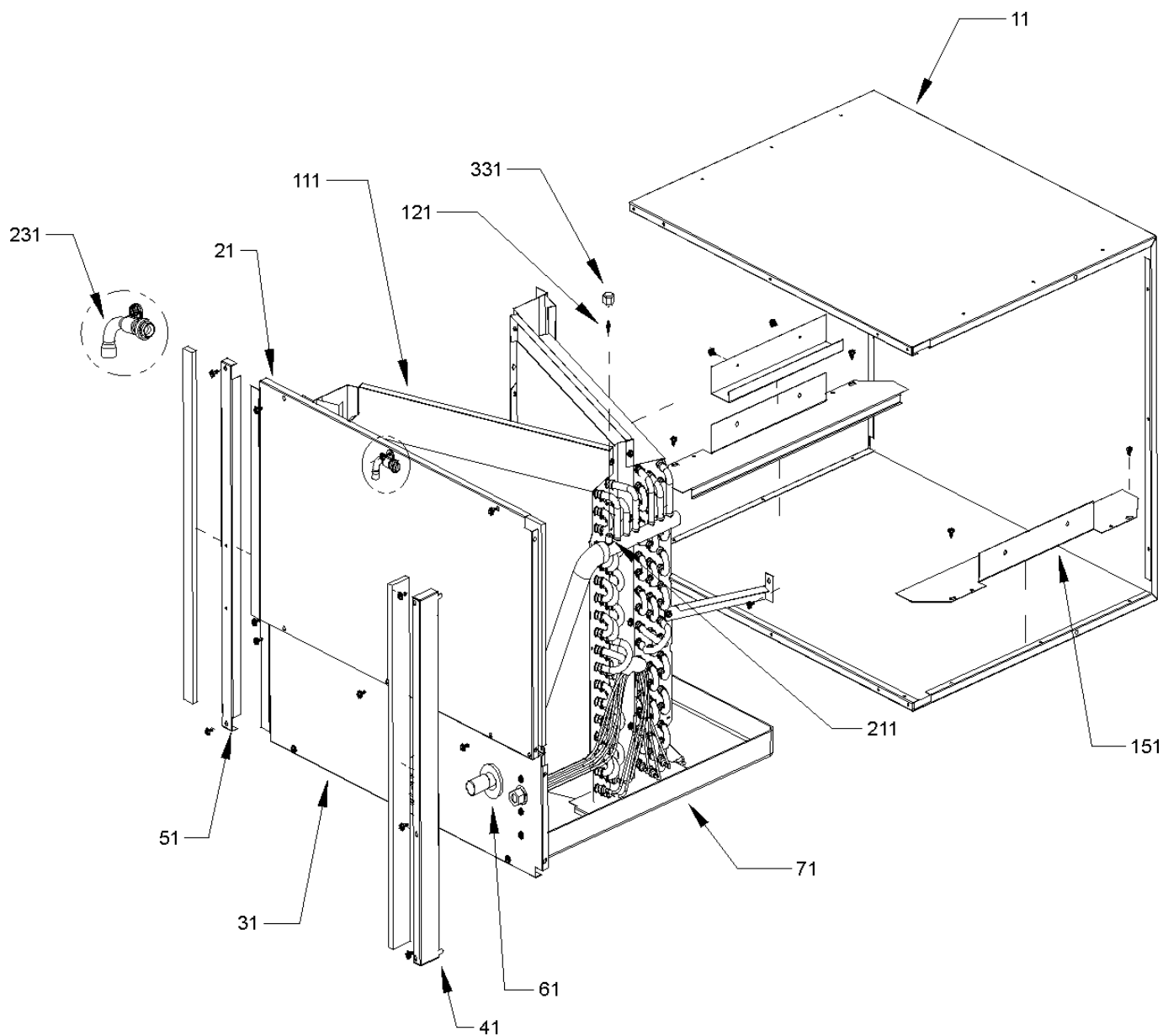
Expanded Model Nomenclature

0162D00009P	FLOWRATOR W/ BRACKET (M7, M11)	M1 - CHPF1824A6AA
0162D00004P	FLOWRATOR W/ BRACKET (M1)	M2 - CHPF1824A6BA
0162D00008P	FLOWRATOR W/ BRACKET (M5)	M3 - CHPF2430B6AA
0162D00006P	FLOWRATOR W/ BRACKET (M9, M10, M12)	M4 - CHPF2430B6BA
0162D00007P	FLOWRATOR W/ BRACKET (M13, M14)	M5 - CHPF3636B6AA
0162D00005P	FLOWRATOR W/ BRACKET (M3, M4)	M6 - CHPF3636B6BA
0162D00024	FLOWRATOR W/ BRACKET .059 (M2)	M7 - CHPF3642C6AA
0162D00026	FLOWRATOR W/ BRACKET .074 (M6)	M8 - CHPF3642C6BA
0162D00027	FLOWRATOR W/ BRACKET .076 (M8)	M9 - CHPF3642D6AA
0270D00093	TUBING ASSY, EVAP COIL (M8)	M10 - CHPF3642D6BA
0270D00010P	TUBING ASSY, EVAP COIL (M3)	M11 - CHPF3743C6AA
0270D00011P	TUBING ASSY, EVAP COIL (M5)	M12 - CHPF3743D6AA
0270D00012P	TUBING ASSY, EVAP COIL (M7)	M13 - CHPF4860D6AA
0270D00013P	TUBING ASSY, EVAP COIL (M9)	M14 - CHPF4860D6CA
0270D00014P	TUBING ASSY, EVAP COIL (M13)	
0270D00094	TUBING ASSY, EVAP COIL (M2)	
0270D00096	TUBING ASSY, EVAP COIL (M4)	
0270D00097	TUBING ASSY, EVAP COIL (M10)	
0270D00141	TUBING ASSY, EVAP COIL (M14)	
0270D00009P	TUBING ASSY, EVAP COIL (M1)	
0270D00114	TUBING ASSY, EVAP COIL (M6)	
0270D00138	TUBING ASSY, EVAP COIL (M11)	
0270D00137	TUBING ASSY, EVAP COIL (M12)	
BT1787000	VALVE CORE	

SPECIAL PARTS

IO-285B	INSTALLATION INSTRUCITONS
PKC-00X	PISTON KIT CHART
RP-376C	REPAIR PARTS MANUAL

Coil Assembly



Coil Assembly

Ref Part No:	Description:	Ref. Part No:	Description:
<i>Image 1:</i>		Expanded Model Nomenclature	
11	5002009PDG WRAPPER 14" X 26" SML (M1, M2)	M1	- CHPF1824A6AA
11	5002008PDG WRAPPER 17.5" X 26" MED (M3, M4, M5, M6)	M2	- CHPF1824A6BA
11	5002002PDG WRAPPER 21" X 26" LRG (M7, M8, M11)	M3	- CHPF2430B6AA
11	5002004PDG WRAPPER 24.5" X 26" XLG (M9, M10, M12, M13, M14)	M4	- CHPF2430B6BA
21	5001504PDG ACCESS DOOR-LEFT 17.5" X 26" (M3, M4, M5, M6)	M5	- CHPF3636B6AA
21	5001513PDG ACCESS DOOR-LEFT 21" X 26" (M7, M8, M11)	M6	- CHPF3636B6BA
21	5001514PDG ACCESS DOOR-LEFT 24.5" X 26" (M9, M10, M12, M13, M14)	M7	- CHPF3642C6AA
21	5001515PDG ACCESS DOOR-LEFT SML (M1, M2)	M8	- CHPF3642C6BA
31	5001516PDG ACCESS DOOR-RIGHT	M9	- CHPF3642D6AA
41	5001200PDG TOP RAIL 14" (M1, M2)	M10	- CHPF3642D6BA
41	5001204PDG TOP RAIL 17.5" (M3, M4, M5, M6)	M11	- CHPF3743C6AA
41	5001207PDG TOP RAIL 21" (M7, M8, M11)	M12	- CHPF3743D6AA
41	5001208PDG TOP RAIL 24.5" (M9, M10, M12, M13, M14)	M13	- CHPF4860D6AA
51	5001201PDG BOTTOM RAIL 14" (M1, M2)	M14	- CHPF4860D6CA
51	5001205PDG BOTTOM RAIL 17.5" (M3, M4, M5, M6)		
51	5001209PDG BOTTOM RAIL 21" (M7, M8, M11)		
51	5001210PDG BOTTOM RAIL 24.5" (M9, M10, M12, M13, M14)		
61	B1392630 GROMMET		
71	B1755943 DRAIN PAN		
111	0270D00009P TUBING ASSY, EVAP COIL (M1)		
111	0270D00010P TUBING ASSY, EVAP COIL (M3)		
111	0270D00011P TUBING ASSY, EVAP COIL (M5)		
111	0270D00012P TUBING ASSY, EVAP COIL (M7)		
111	0270D00013P TUBING ASSY, EVAP COIL (M9)		
111	0270D00014P TUBING ASSY, EVAP COIL (M13)		
111	0270D00093 TUBING ASSY, EVAP COIL (M8)		
111	0270D00094 TUBING ASSY, EVAP COIL (M2)		
111	0270D00096 TUBING ASSY, EVAP COIL (M4)		
111	0270D00097 TUBING ASSY, EVAP COIL (M10)		
111	0270D00114 TUBING ASSY, EVAP COIL (M6)		
111	0270D00137 TUBING ASSY, EVAP COIL (M12)		
111	0270D00138 TUBING ASSY, EVAP COIL (M11)		
111	0270D00141 TUBING ASSY, EVAP COIL (M14)		
121	BT1787000 VALVE CORE		
151	3810022D BOTTOM RAIL BRACKET (QTY 2)		
171	0270D00138 U CHANNEL BRACKET		
211	B1373311 ACCESS VALVE FITTING		
231	BT1369063 90 DEGREE STUB		
331	B9102097 CAP W/O-RING		
NS	5550830 HORIZONTAL CASE LRG 21" X 26" (M7, M8, M11)		
NS	5550829S HORIZONTAL CASE LRG 24.5" X 26" (M9, M10, M12, M13, M14)		
NS	5550828S HORIZONTAL CASE MED 17.5" X 26" (M3, M4, M5, M6)		
NS	5550827 HORIZONTAL CASE SML 14" X 26" (M1, M2)		